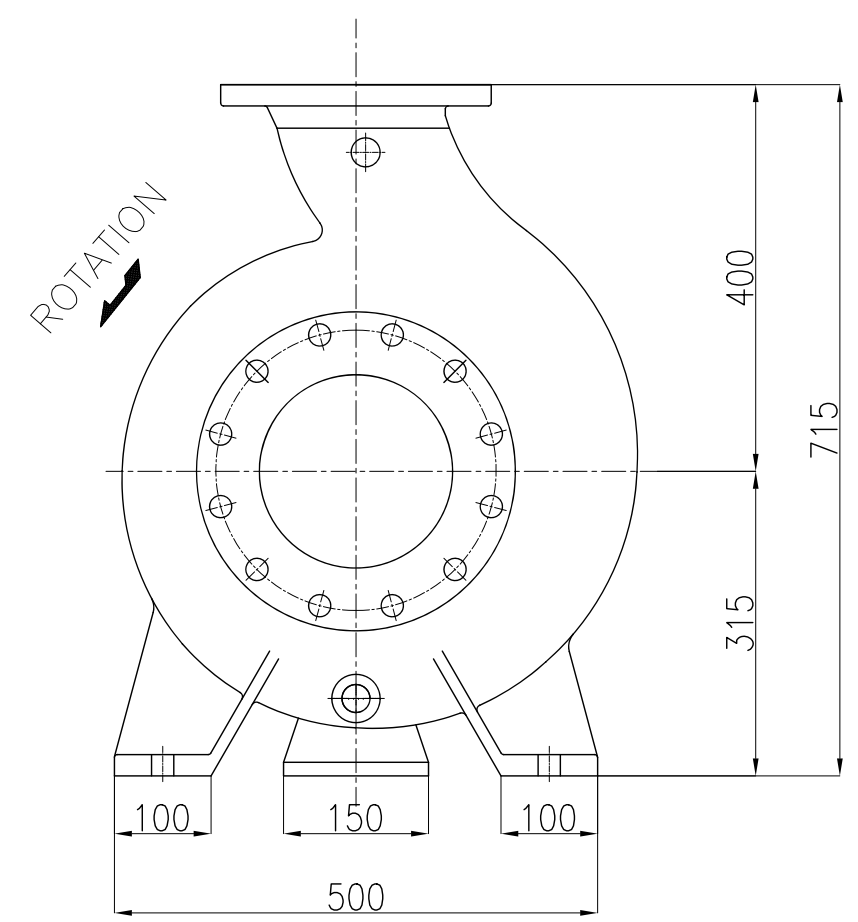
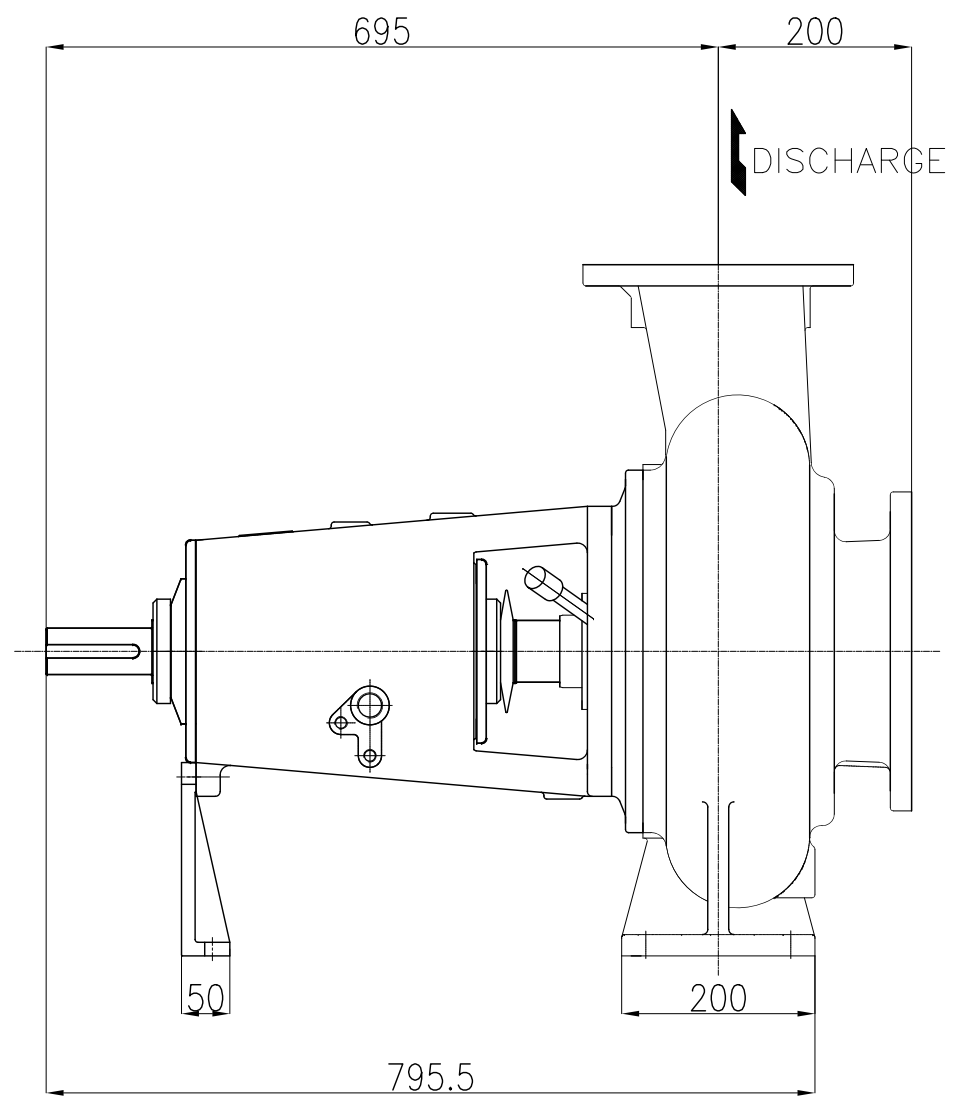


| NO. | DESCRIPTION | MATERIAL | UNIT | Q'TY | WEIGHT(KG) | | REF. DWG. NO. | REMARKS |
|-----|-------------|----------|------|------|------------|-------|---------------|---------|
| | | | | | UNIT | TOTAL | | |



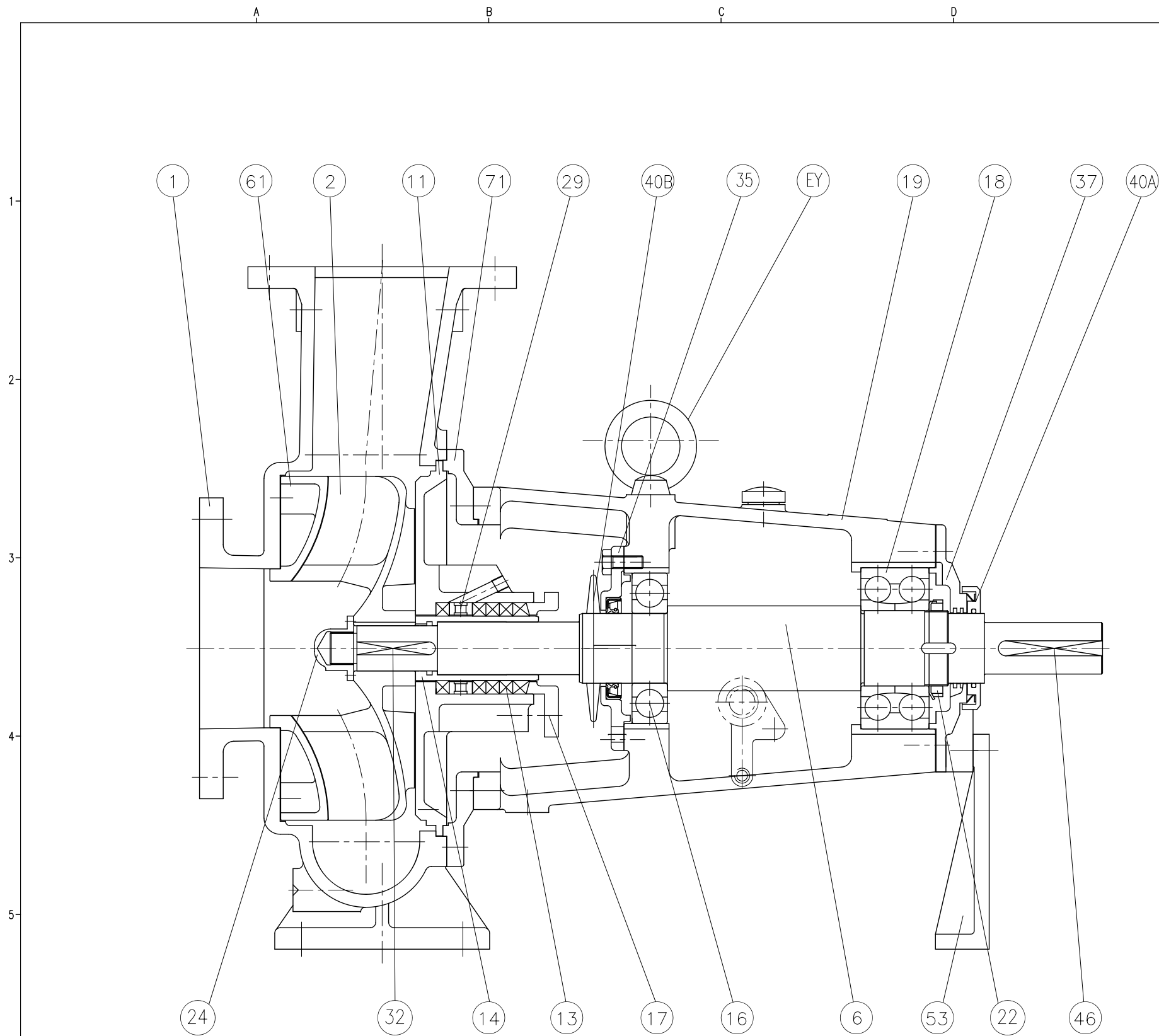
Flange Rating KS 10K (FF)

| Rating | ϕd | ϕD | ϕC | Q- ϕH | t |
|-----------|----------|----------|----------|---------------|----|
| Suction | 200A | 330 | 290 | 12- $\phi 23$ | 22 |
| Discharge | 150A | 280 | 240 | 8- $\phi 23$ | 22 |

- * Remark.
- Centrifugal Pump, Single suction volute [NP200x150-315 / CW-HYDRO]
 - 370m³/hr, 45m, 75kw, 4P, 1785rpm
 - 200A/150A, SSC13, SSC13, STS304, Gland packing, without Motor, Baseplate, Coupling



| | | | | | | | | | | | | | | |
|-----|------|-------------------------|-------|---------|----------|---|-----------|--|-------|--------------------------------|---------|------------|----------|--------|
| | | | | | | posco | | | | SCALE | 1/1 | PROJECTION | | |
| | | | | | | | | | | SIZE | A3 | DIMENSION | mm | |
| | | | | | | 2CCP PLANT 광양 2연주 "E" LINE SCARFER 2번 S/M FACILITY ITEM NO. 8.3 / SCALE WATER PUMP | | | | EQUIPMENT | | | | |
| | | | | | | OUTLINE DRAWING | | | | REF. DWG. NO. DGN-CW-NP-001 | | | | |
| No. | Date | Revisions & Description | Drawn | Checked | Reviewed | Approved | TITLE | | DRAWN | | CHECKED | REVIEWED | APPROVED | POSICO |
| | | | | | | | SIGNATURE | | | | | | | DATE |
| | | | | | | | DATE | | | | | | | |



| NO. | DESCRIPTION | MATERIAL | UNIT | Q'TY | WEIGHT(KG) | | REF. DWG. NO. | REMARKS |
|-----|-------------|----------|------|------|------------|-------|---------------|---------|
| | | | | | UNIT | TOTAL | | |

| | | | | | | | | |
|------------|------------------------|------------------|-------------|--------------|-----------------|--|--|--|
| EY | Eye Bolt | SS 400 | - | | | | | |
| 71 | Adaptor | GC 200 | A48 | CL30 | | | | |
| 61 | Front Plate | SSC 13 | A743 | CF8 | | | | |
| 53 | Support | GC 200 | A48 | CL30 | | | | |
| 46 | Coupling Key | STS 304 | A276 | 304 | | | | |
| 40B | Deflector | NBR | | NBR | | | | |
| 40A | Deflector | SM 45C | A576 | 1045 | | | | |
| 37 | Outboard Bearing Cover | GC 200 | A48 | CL30 | | | | |
| 35 | Inboard Bearing Cover | GC 200 | A48 | CL30 | | | | |
| 32 | Impeller Key | STS 304 | A276 | 304 | | | | |
| 29 | Lantern Ring | TEFLON | | TEFLON | | | | |
| 24 | Impeller Nut | SSC 14 | A743 | CF8M | | | | |
| 22 | Bearing Nut | SS 400 | - | | | | | |
| 19 | Frame | GC 200 | A48 | CL30 | | | | |
| 18 | Outboard Bearing | STEEL | | STEEL | | | | |
| 17 | Packing Gland | SSC 14 | A743 | CF8M | | | | |
| 16 | Inboard Bearing | STEEL | | STEEL | | | | |
| 14 | Shaft Sleeve | STS 304+세라믹 용사코팅 | A276 | 304+세라믹 용사코팅 | | | | |
| 13 | Packing | TEFLON | | TEFLON | | | | |
| 11 | Stuffing Box Cover | SSC 13 | A743 | CF8 | | | | |
| 6 | Shaft | STS 304 | A276 | 304 | | | | |
| 2 | Impeller | SSC 13 | A743 | CF8 | | | | |
| 1 | Casing | SSC 13 | A743 | CF8 | | | | |
| NO. | Part Name | KS | ASTM | | MATERIAL | | | |

* Remark.

- Centrifugal Pump, Single suction volute [NP200x150-315 / CW-HYDRO]
- 370m³/hr, 45m, 75kw, 4P, 1785rpm
- 200A/150A, SSC13, SSC13, STS304, Gland packing, without Motor, Baseplate, Coupling

CW-Hydro, Inc.

| posco | | | | | | | | | | SCALE | NONE | PROJECTION | ☉ |
|---|--|--|--|--|--|--|--|--|--|---------------|------|------------|----|
| | | | | | | | | | | SIZE | A3 | DIMENSION | mm |
| 2CCP PLANT 광양 2연주 "E" LINE SCARFER | | | | | | | | | | EQUIPMENT | | | |
| 2면 S/M FACILITY ITEM NO. 8.3 / SCALE WATER PUMP | | | | | | | | | | DRAWN | | | |
| SECTIONAL DRAWING | | | | | | | | | | CHECKED | | | |
| | | | | | | | | | | REVIEWED | | | |
| | | | | | | | | | | APPROVED | | | |
| | | | | | | | | | | DATE | | | |
| | | | | | | | | | | DGN-CW-NP-001 | | | |